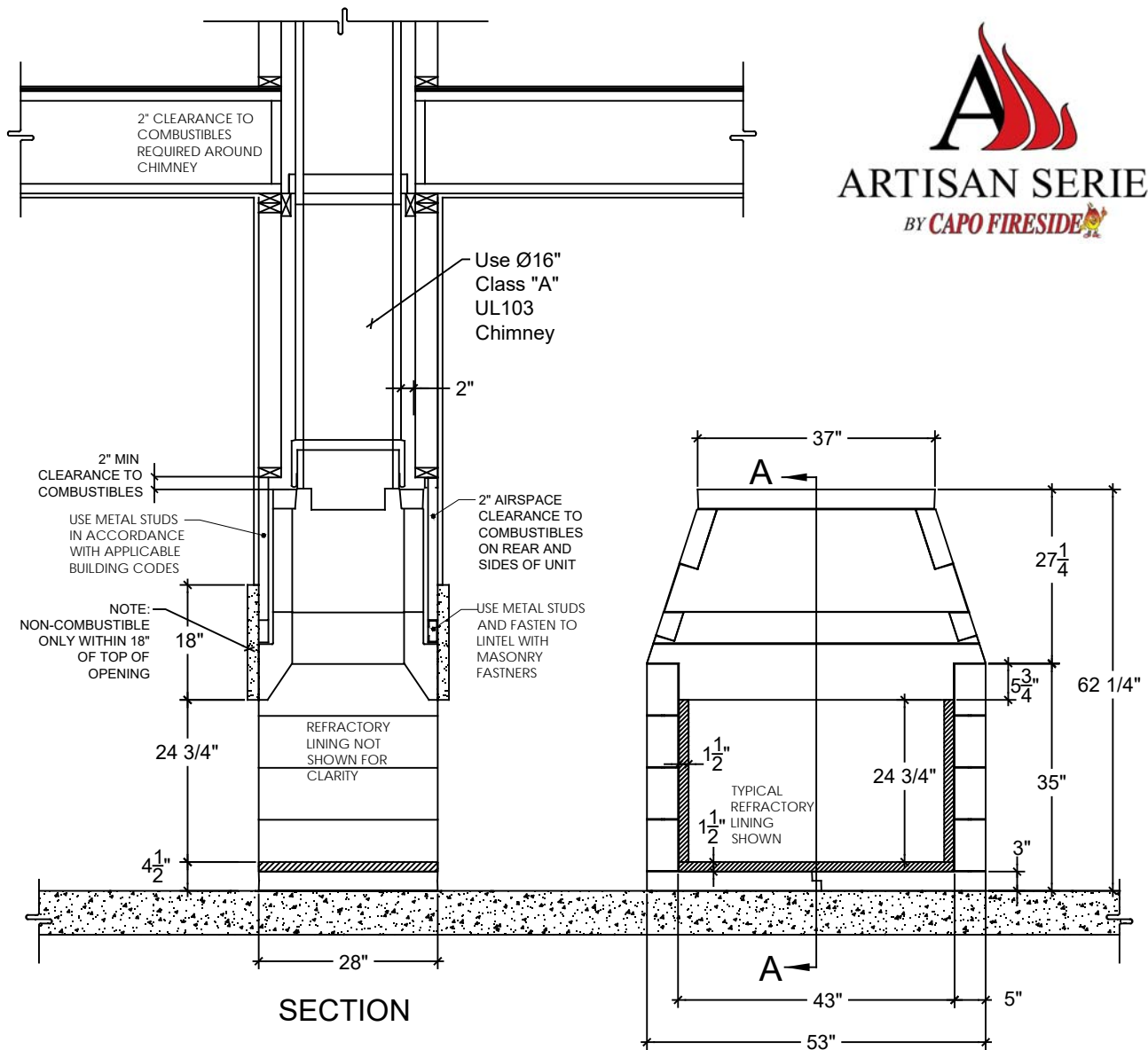
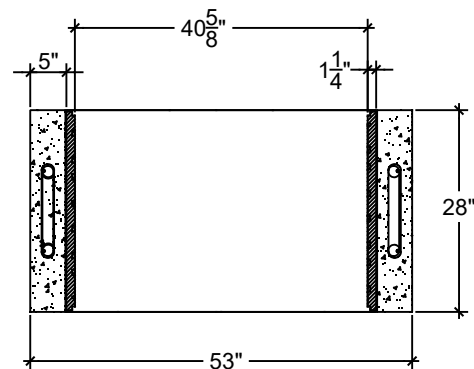




ARTISAN SERIES
BY CAPO FIRESIDE



SECTION



PLAN

OTHER DIMENSIONS

Framing Width	57"
Framing Height	64 1/4"
Framing Depth	28"
Floor Area (53 x 28)	10.3 sf
Fireplace Weight	1,423 lbs
Mortar and Rebar	58 lbs
Ready Mix	100 lbs
Flue Size - UL 103 Class A	Ø16"
Metal Chimney Weight per foot	12 lbs

ACCESSORIES

Herringbone Brick Liner	AS43STSHBL	412 lbs
Full Running Bond Brick Liner	AS43STFRBL	414 lbs
Structural Metal Base Kit - 8"	ASB43	77 lbs
Anchor Plate w/Damper Ø16"	16ATGAPD	42 lbs
Ø4" Combustion Air Kit	AS4-AK	14 lbs
Masonry Arch	AS-ARC	20 lbs

TITLE: **AS-ST43**

DWG. NUMBER	RELEASE DATE	REV. DATE
S004-CF	10/16/17	10/16/17