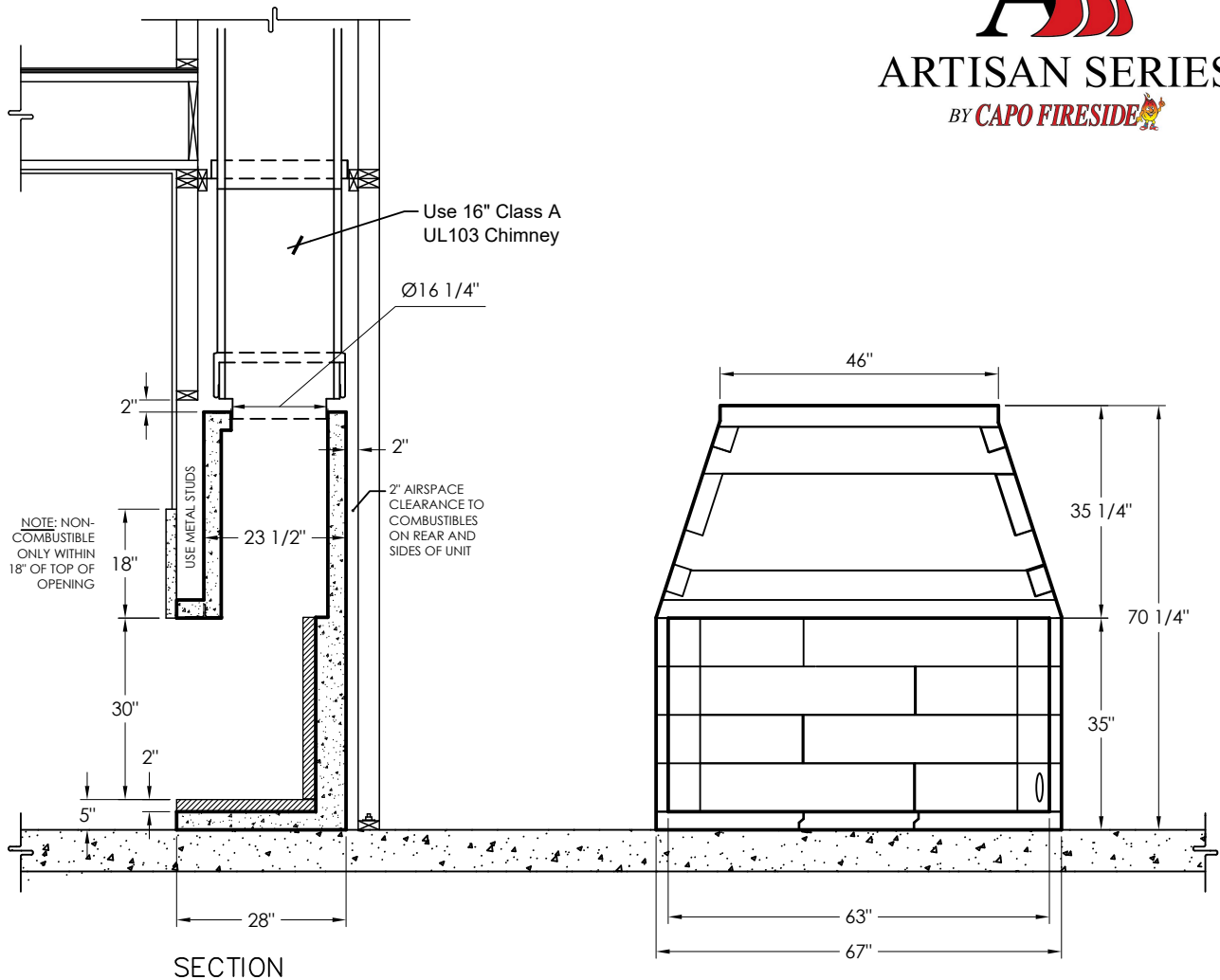




ARTISAN SERIES

BY CAPO FIRESIDE 



SECTION

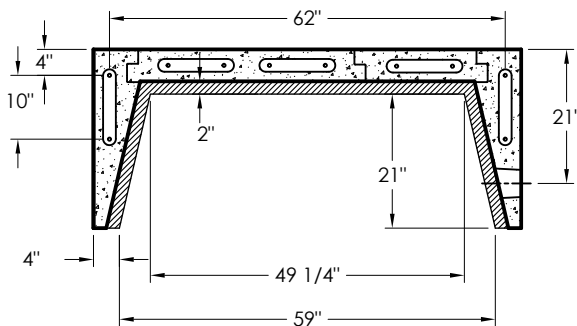
PLAN

OTHER DIMENSIONS

Framing Width	71"
Framing Height	73"
Framing Depth	30"
Floor Area (67 x 28)	13.03 sf
Fireplace Weight	2,436 lbs
Mortar and Rebar	130 lbs
Ready Mix	250 lbs
Flue Size - Class A	Ø16"
Metal Chimney Weight per foot	12 lbs

ACCESSORIES

Structural Metal Base Kit - 8"	ASB63	90 lbs
Anchor/Damper Plate	16ATGAPD	42 lbs
Ø4" Combustion Air Kit	AS4-AK	14 lbs
Masonry Arch	AS-ARC63	60 lbs



TITLE:

AS63

DWG. NUMBER

RELEASE DATE

REV. DATE

S001-CF

10/16/17

2/11/18