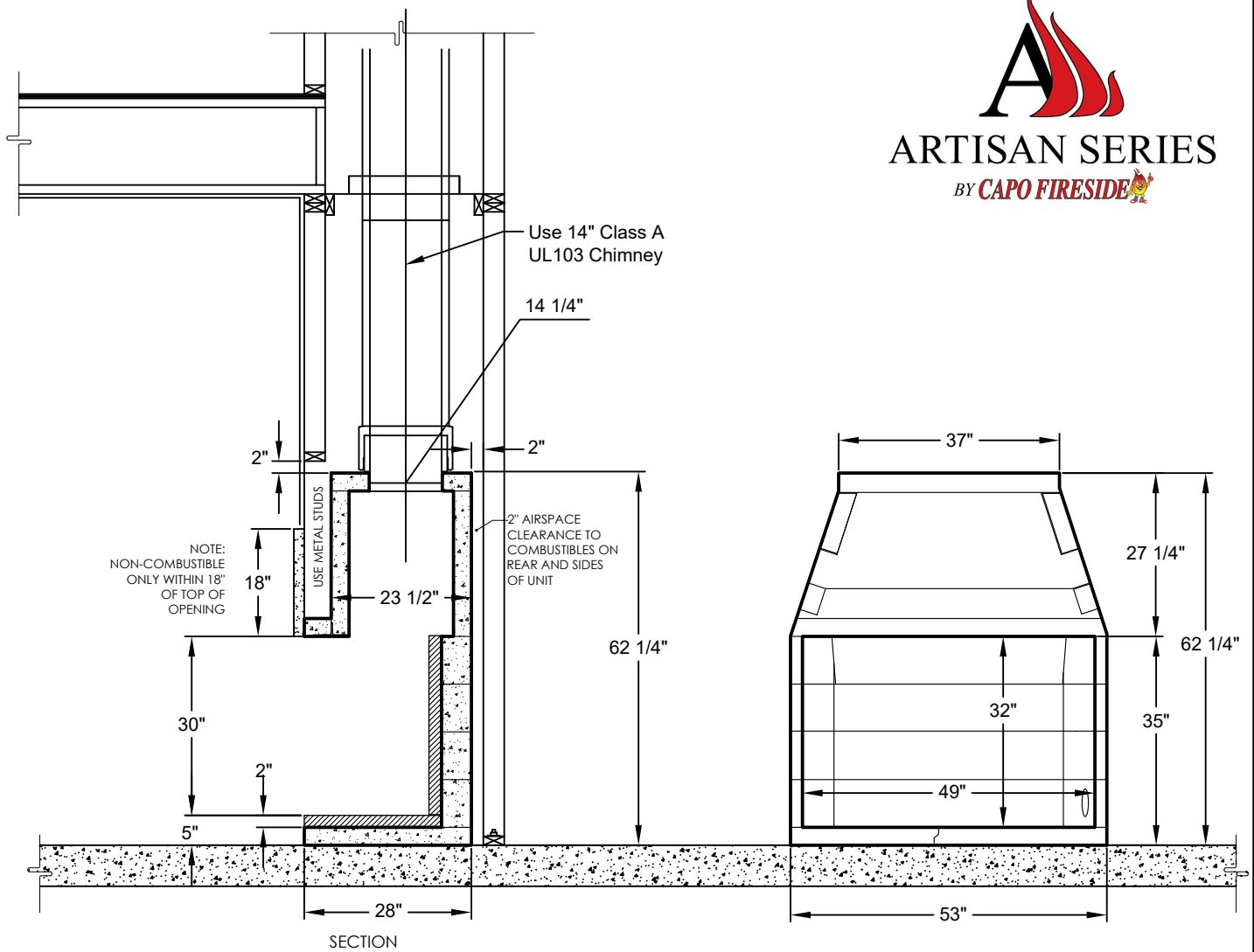




ARTISAN SERIES

BY CAPO FIRESIDE

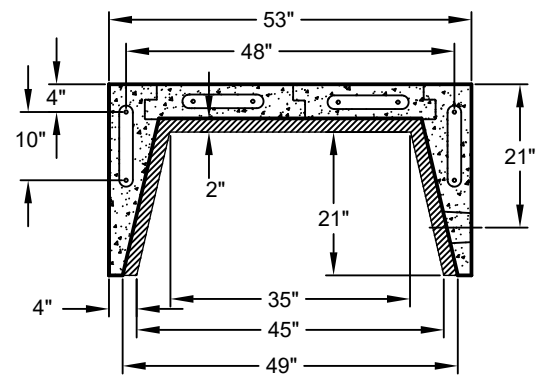


OTHER DIMENSIONS

Framing Width	57"
Framing Height	65"
Framing Depth	30"
Floor Area (37 x 28)	10.3 sf
Fireplace Weight	1,837 lbs
Mortar and Rebar	73 lbs
Ready Mix	200 lbs
Flue Size - Class A	Ø14"
Masonry Chimney Weight per foot	140 lbs
Metal Chimney Weight per foot	12 lbs

ACCESSORIES

Structural Metal Base Kit - 6"	ASB49	69 lbs
Anchor Plate/Damper	14ATGAPD	34 lbs
Ø4" Combustion Air Kit	AS4-AK	14 lbs
Masonry Arch	AS-ARC	20 lbs



PLAN

TITLE:

AS49

DWG. NUMBER

RELEASE DATE

REV. DATE

S002-CF

10/16/17

2/11/18