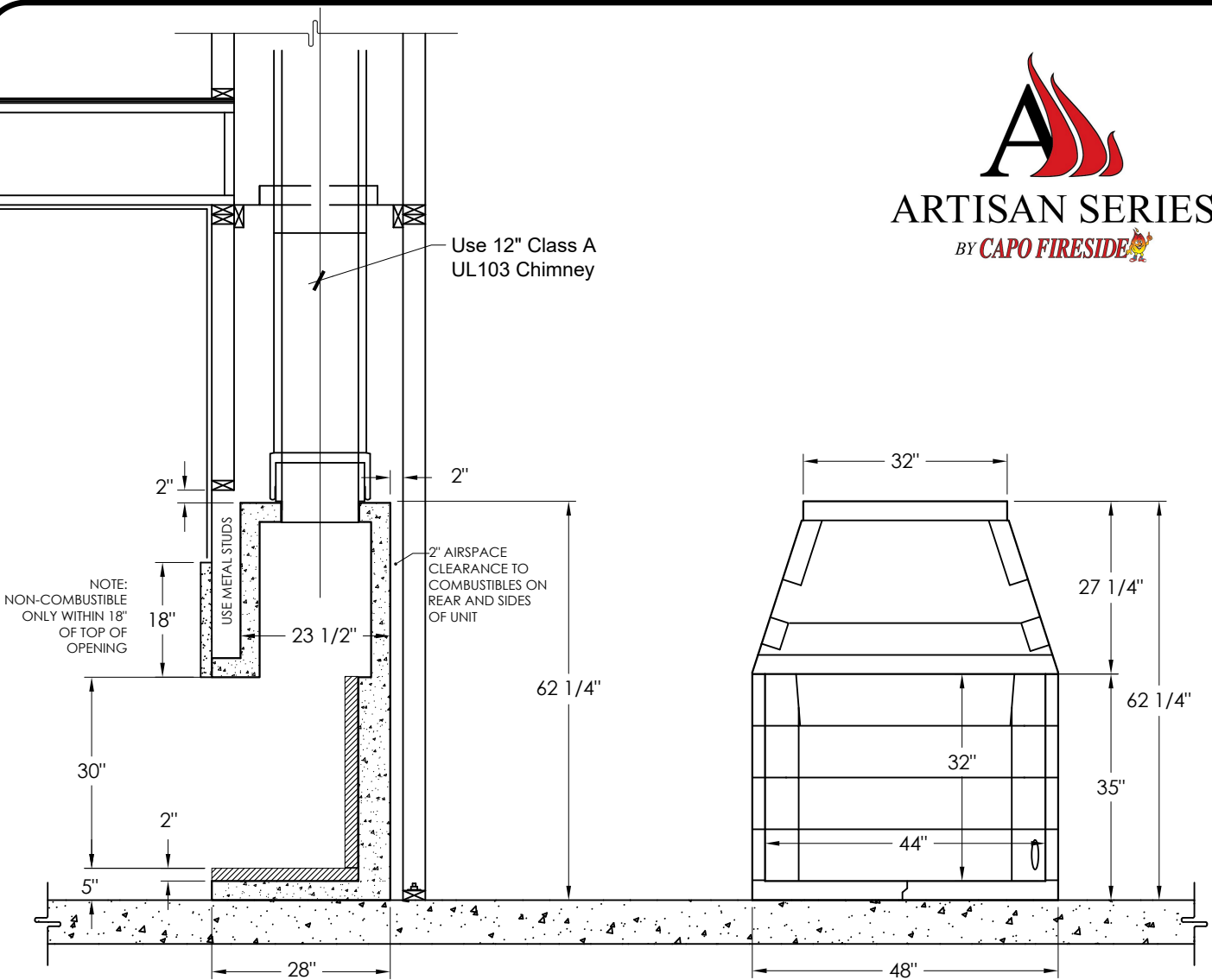




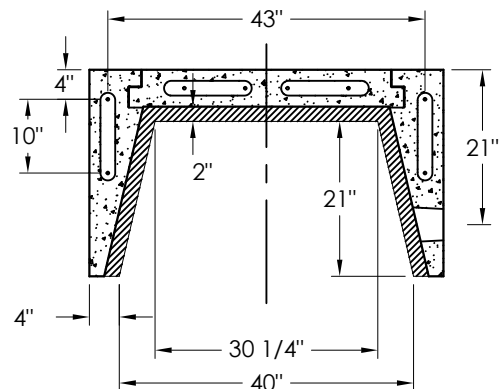
# ARTISAN SERIES

BY CAPO FIRESIDE 



OTHER DIMENSIONS	
Framing Width	52"
Framing Height	65"
Framing Depth	30"
Floor Area (48 x 28)	9.33 sf
Fireplace Weight	1,726 lbs
Mortar and Rebar	67 lbs
Ready Mix	200 lbs
Flue Size - Class A	Ø12"
Metal Chimney Weight per foot	10 lbs

ACCESSORIES		
Structural Metal Base Kit - 6"	ASB44	65 lbs
Anchor Plate w/Damper	12ATGAPD	27 lbs
Ø4" Combustion Air Kit	AS4-AK	14 lbs
Masonry Arch	AS-ARC	20 lbs



PLAN

TITLE:

**AS44**

DWG. NUMBER

RELEASE DATE

REV. DATE

**S003-CF**

**10/16/17**

**2/11/18**